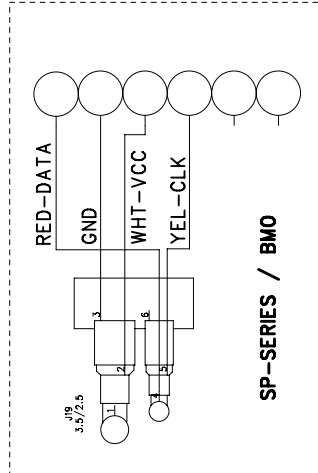
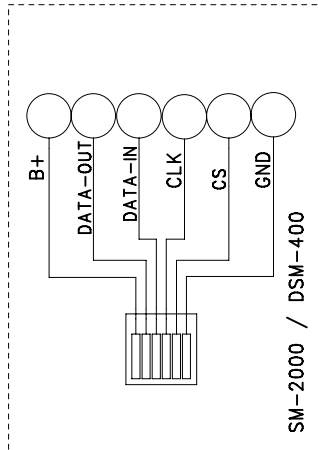
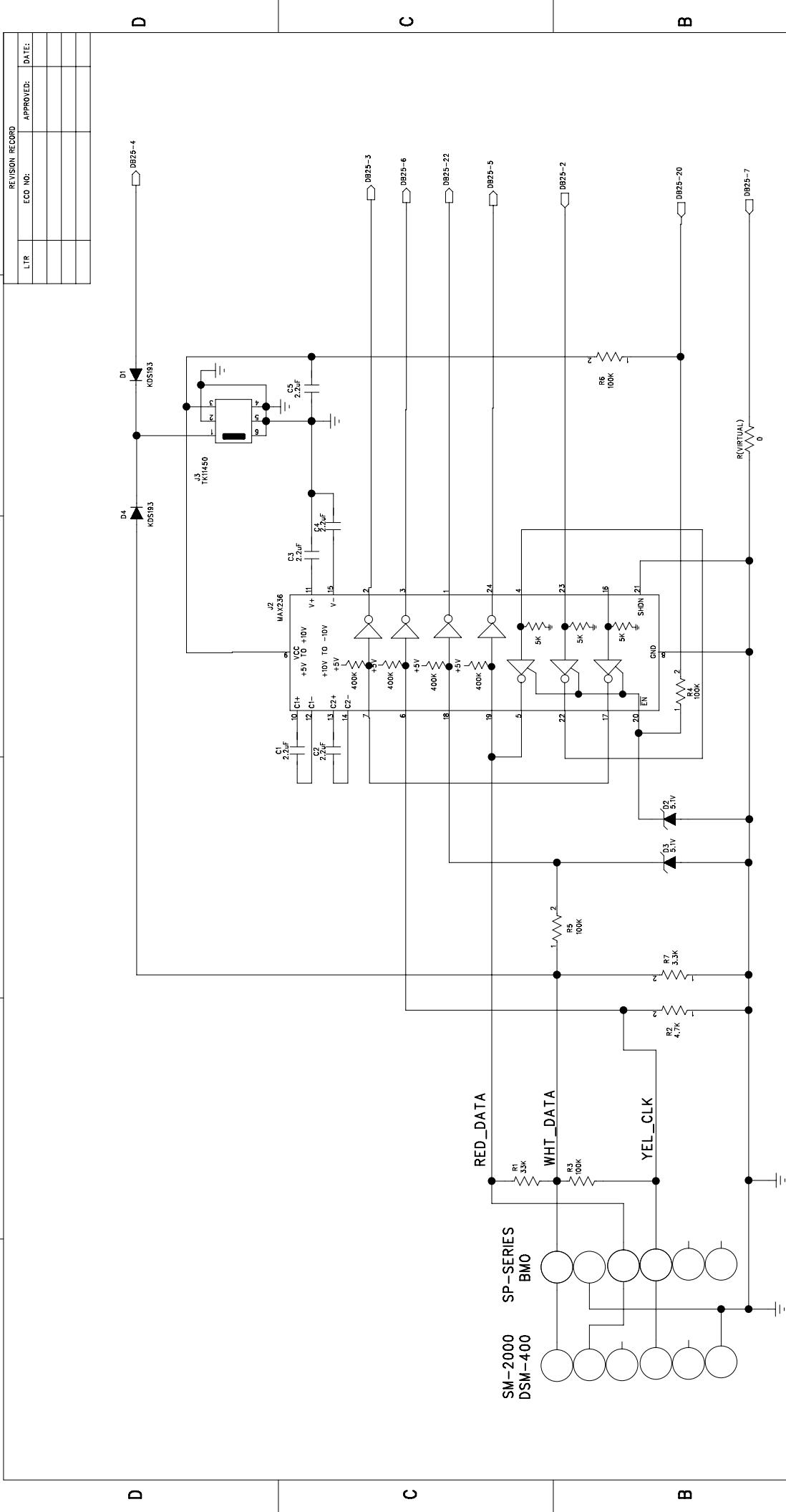


6 5 4 3 2 1



COMPANY: MAXON TWR LMR	
TITLE: QPA-4000	
DATE: 2001.09.28	REV: 0F
CHECKED: YKKIM	DRAWING NO: 3187
RELEASED:	SCALE:
QUALITY CONTROL:	SIZE:
DATE:	CODE:
DATE:	RELEASED:

REVISION RECORD	
ECD NO.	APPROVED: DATE:
LTR	