

SD-125EL V2 5/1W VHF (148-174 MHz)

SD-125EL U1 5/1W UHF (400-430 MHz)

SD-125EL U2 5/1W UHF (440-470 MHz)



- 5/1 Watt
- LED Status Indicator
- 16 Channels (Dip Switch Select)
- DE-9 Pin Male Connector
- TX Time Out Timer
- 12.5/25 kHz Channel Spacing
- Carrier Detect
- Busy Channel Lockout
- BNC Female Antenna Connector
- POCSAG Protocol Optional

### Applications

Water/Waste Treatment Plants  
Oil and Gas Field SCADA  
Security/Alarm Systems  
Gate Systems  
Remote Controls  
Sign Control  
Automatic Vehicle Location  
Murphy/Kill Switches  
Weather Monitoring  
Irrigation Systems  
Emergency Call Boxes  
Low Power Repeaters

**The Maxon SD-125EL Series** of data/telemetry radios are designed to meet the needs for a variety of wireless applications in a cost effective package.

The modules incorporate the most requested mechanical footprint and connectors. Adjustable transmit power settings from one to five watts provides the power needed on any job and the LED indicator gives instant on-sight status of the radios operation. The die cast aluminum cabinet/lid provides resistance to RF interference; and gives exceptional environmental durability in the most extreme conditions. The SD-125EL can also be configured with POCSAG for paging applications.

Whether implementing a new system or installing into an existing system, the Maxon family of data telemetry radios have been the choice of OEM and end-users worldwide for over 35 years.

## SPECIFICATIONS

### GENERAL

SD-125EL V2	148-174 MHz
SD-125EL U1	400-430 MHz
SD-125EL U2	440-470 MHz
Channel Spacing	12.5/25 kHz
PLL Channel Step	2.5, 5, 6.25 kHz
Power Requirement	9-18 V DC, 12V nominal
Current Drain	Tx Hi: 2.0, Tx Lo: 1A, Stdy 65mA
Operating Temperature	-22° to 140° F (-30° to 60° C)
Dimensions (L/W/H)	4.6 x 2.4 x 1.4" (117x62x35 mm)
Weight	9.4 oz. (267 g.)
Lock Time	<10ms
LED Status	Green - Receive/Decode Red - Transmit
TX Duty Cycle	35% @ Temp Range Listed

### TRANSMITTER

Output Power	5/1 Watt Programmable
FM Hum and Noise	40dB (12.5 kHz), 40dB (25 kHz)
Modulation Sensitivity	100mV RMS (60% peak dev)
Spurious Emissions	60dB
Frequency Deviation	±2.5, Min. ±1.9 kHz (12.5 kHz) ±5.0, Min. ±3.8 kHz (25 kHz)
Adj. Channel Power	70dB (25 kHz), 60dB (12.5 kHz)
Audio Response	+1, -3dB from 6dB per octave pre-emphasis and characteristic 300 ~ 3000 Hz

### RECEIVER

Sensitivity	.25µV (12.5 kHz), 0.35µV (25 kHz)
Selectivity	50dB (12.5 kHz), 60dB (25 kHz)
Intermodulation	-65dB
Spurious Emissions	-70dB
Spurious/Harmonic	65dB
Response Time	<16ms
Audio Output Power	0.5 Watt

### PACKAGE INCLUDES:

Radio Only

Specifications are subject to change without notice

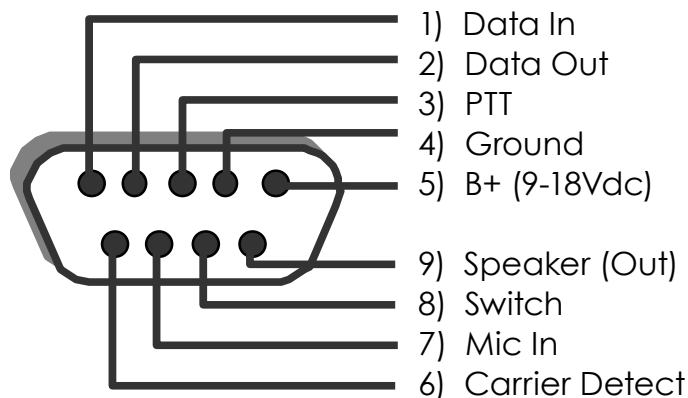
## ACCESSORIES



### ACCESSORY OPTIONS

BNC 6" Antenna VHF/UHF  
PC Programming Software and Cable (Serial)  
Extender Board for Service and Alignment  
Squelch Control Cable  
Magnetic Mount w/Wave Antennas  
Heat Sink

### DE-9 Pin Male Connector



Approvals	FCC	Industry Canada
SD-125EL V2	RXUSD-125EV2	153B-SD-125EV2
SD-125EL U1	RXUSD-125EU1	153B-SD-125EU1
SD-125EL U2	RXUSD-125EU2	153B-SD-125EU2



Manufactured to ISO-9002:2000 quality standard.

NOTE: Some features indicated by specifications listed are prohibited by FCC rule and are not available on models sold in the U.S. or its territories.

Maxon America, Inc.

11535 W. 83rd Terrace Lenexa, KS 66214  
Tel: (800) 456-2071 - Tel: (913) 859-9515  
Fax: (913) 859-9550

Web: [www.maxonamerica.com](http://www.maxonamerica.com)  
E-mail: [maxon@maxonamerica.com](mailto:maxon@maxonamerica.com)