

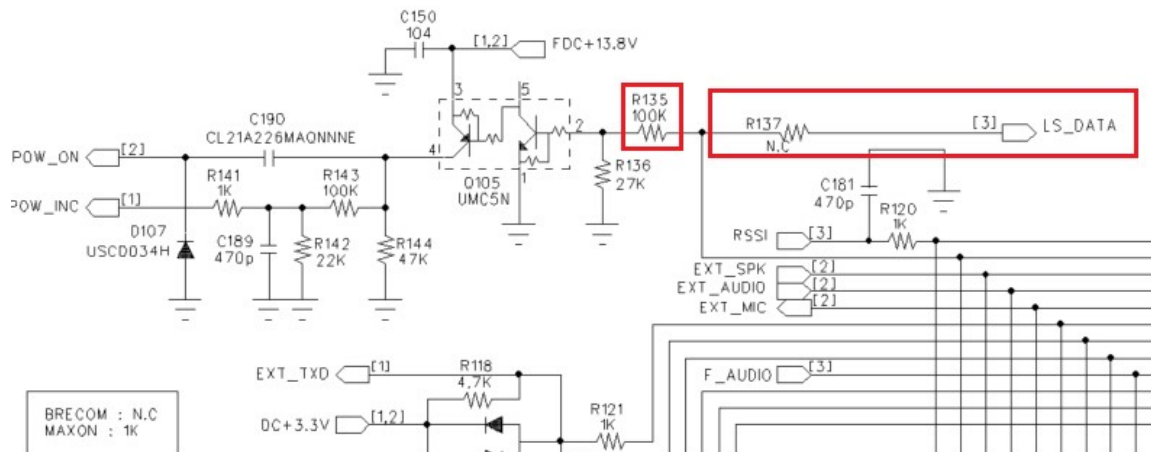
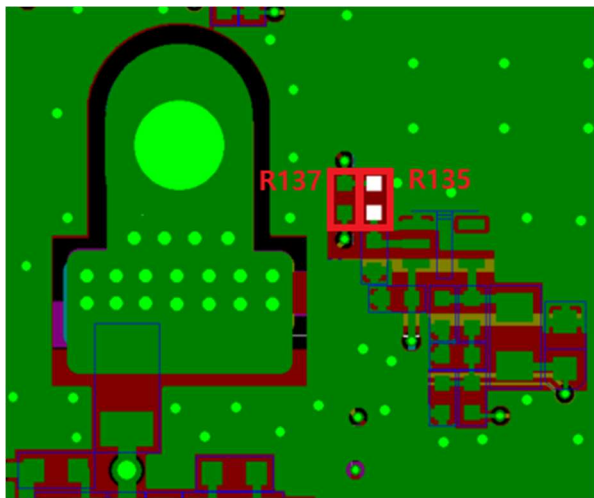
**TM-8000C LS Data and Ignition Sense**

**Date:** October 13, 2025

**Issue:** Low Speed Data and Ignition Sense

**Background:** LS Data can be used to input a square wave such as POCSAG. It is also necessary to remove the ignition sense line. Input is pin 2 on the DE15.

Remove the lid of the radio and locate R135 and R137. These are next to the power connection for the radio. R135 is used for ignition sense so if you wish to use LS\_Data, remove R135 and move it to the R137 location. This will make pin 2 the input for POCSAG or any other data you wish to transmit.



If you have questions, please contact our Technical Support Department at 1-800-456-2071.